

DAMO FLEX

Adjustable Rack Column Repair Kit

A FLEXIBLE ON-SITE UPRIGHT REPAIR

The DAMO FLEX is a modular rack repair kit solution that repairs and protects damaged pallet rack columns. Braces are not welded onto the unit, but measured and cut on-site, making this repair kit highly adaptable and cost-effective.



Post made of 3/16" thick structural steel tube to offer true impact resistance.



Made-to-measure to restore original rack capacity of almost any size and type of racking system.



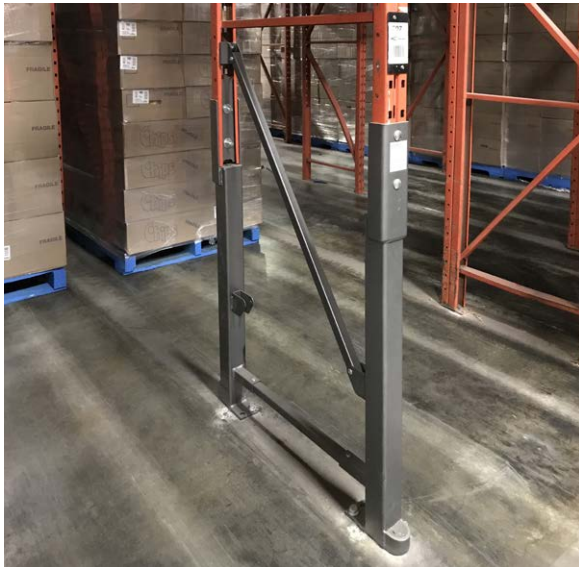
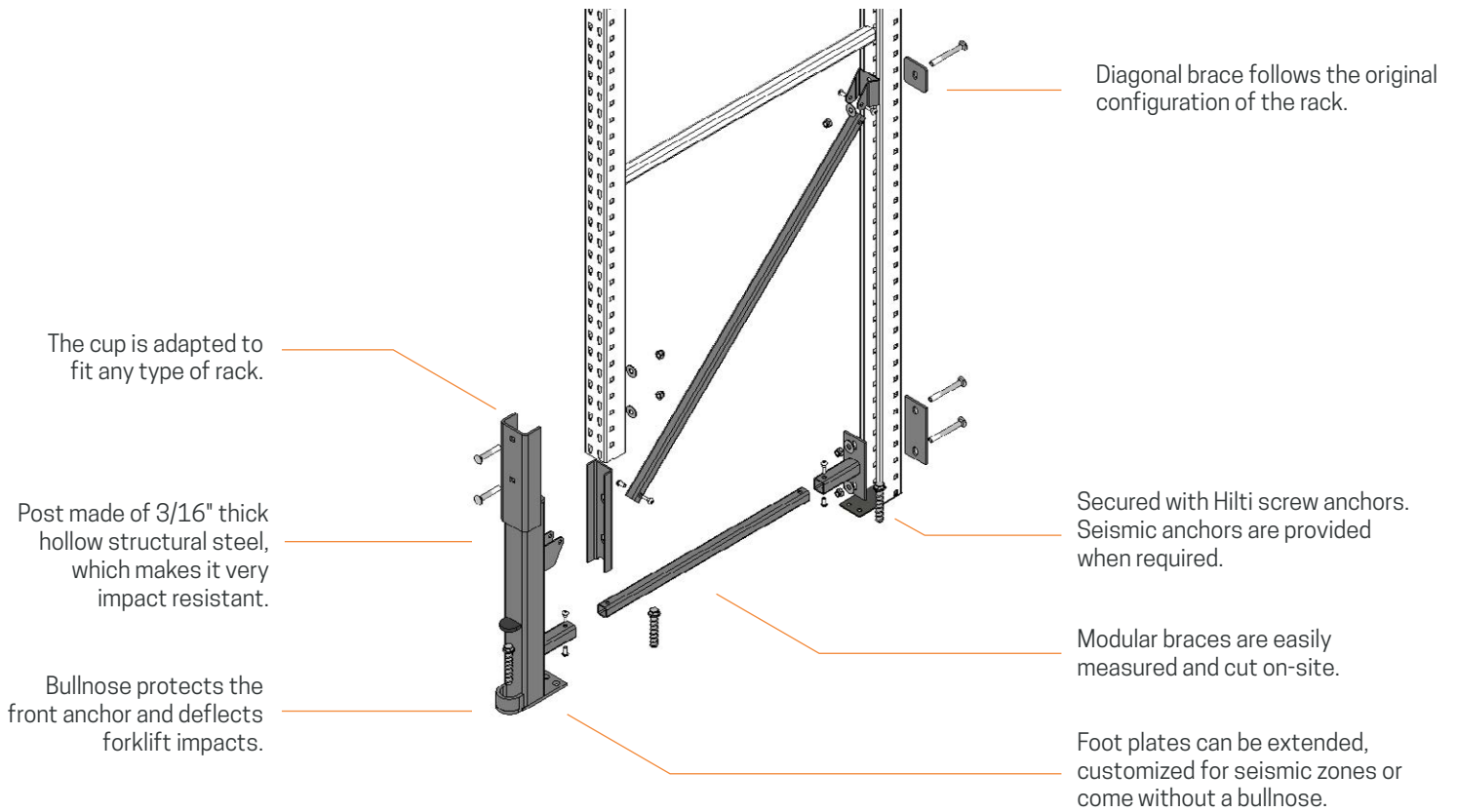
Short lead time, quick installation, and little to no unloading reduces downtime.



Never worry about rack repair with Damotech's **10-year manufacturer's warranty** included with every DAMO FLEX.



DAMO FLEX



The DAMO FLEX can also be combined with another FLEX unit to simultaneously repair the front and back columns of an upright.

OPTIONS

Standard Heights

24" | 36" | 48"

Custom heights available

Beam Connections

Customized connections to match your beam configuration.



BEAM CONNECTORS

COLOR & FINISH

Powder Coated

Gray



Custom Colors Available

Galvanized

Additional lead time required

CUSTOM CONFIGURATIONS

Contact our Customer Support Team for details on custom solutions.